

INDUSTRY NINE



WORKBOOK

UNIQUENESS OF INDUSTRY NINE

MANUFACTURED OWN SPOKES

- 2,7 MM
- STRAIGHT PULL
- DOUBLE BUTTED
- ANODISED
- ALUMINIUM
- 11 COLORS



MANUFACTURED OWN HUBS

PROVEN IN INDEPENDENT TESTS

- MTB : 120 POINTS OF ENGAGEMENT / 6 PAWLS / 3°
- ROAD : 60 POINTS OF ENGAGEMENT / 3 PAWLS / 6°

ULTRA DURABILITY

LOW MAINTENANCE

HIGHEST PERFORMANCE

11 COLORS

LIFETIME WARRANTY ON CARBON RIMS

UNIQUE PERSONALISATION PROGRAMME

6 WEEKS DELIVERY TIME

MTB / CX / GRAVEL / ROAD WHEEL PRODUCT RANGE

EASY TO USE “ **WHEEL CONFIGURATOR** ”





ROAD WHEELS

ALUMINIUM ROAD WHEEL	1399 Euro	BASE : ALL BLACK
<u>AR25</u>	+ 50 Euro	LEVEL 1 : 8 ACCENT SPOKES, 1 COLOR, FR & R, REST = BLACK
	+ 140 Euro	LEVEL 2 : UNLIMITED NUMBER SPOKES 1 COLOR + COLOR HUB + COLOR VALVE
	+ 235 Euro	LEVEL 3 : ALL POSSIBILITIES !

- Weight: Set 1480g, Front 685g, Rear 895g
- Front Axle: QR 100mm, 9x100mm, 12x100mm, 15x100mm
- Driver: Shimano/SRAM HG, Campy 11-speed or SRAM XD-R
- degree engagement, 3 pawl freehub, 60 point driving
- Recommended Tire Width: 25-55mm
Recommended Tire Type: Tubeless
- Rim: Clincher 21.5mm inner width // 25mm outer // 25mm depth
- Tubeless Ready
- Rear Axle: QR 135mm, 10x135mm, 12x135mm, 12x142mm
- Brake Rotor Interface: Center Lock
- *Front wheels compatible with 160mm rotors only at this time.
- Note: Skewers Not Included



BASE | All Black

 **INDUSTRY NINE**



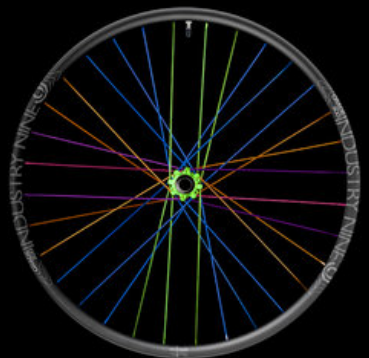
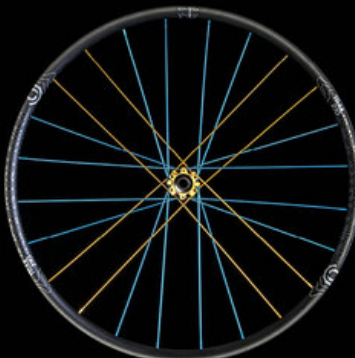
LEVEL 1 | MSRP + \$50/pair | Black Hubs // Black Spokes // Up to 8 accent spokes per wheel, 1 color



LEVEL 2 | MSRP + \$160/pair | Single Custom Color plus Black // Can be applied to hubs and/or spokes



LEVEL 3 | MSRP + \$265/pair | No Color Restrictions // Unlimited Customization



ROAD CARBON WHEELS

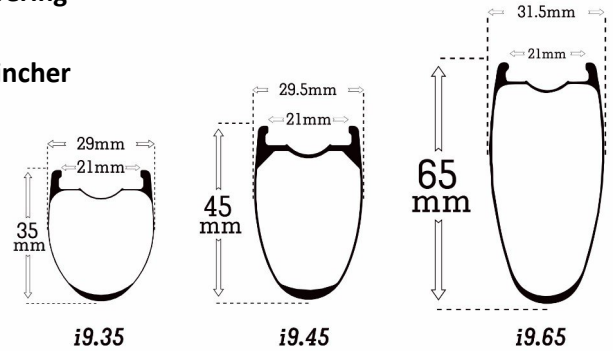
LIFE TIME WARRANTY ON CARBON RIMS

19.35	3.5 CM HIGH CARBON RIM	2499 Euro
19.45	4.5 CM HIGH CARBON RIM	2549 Euro
19.65	6.5 CM HIGH CARBON RIM	2599 Euro

Upgrade : Color hub + nipples + valve = + 100 Euro



- **Weight: Set 1495g, Front 685g, Rear 810g, Rim 440g**
- **Front Axle: QR 100mm, 9x100mm, 12x100mm, 15x100mm**
- **Driver: Shimano/SRAM HG, Campy 11-speed or SRAM XD-R**
- **6 degree engagement, 3 pawl freehub, 60 point driving**
- **Recommended Tire Width: 23mm - 32mm**
- **Recommended Tire Type: Tubeless or Tube-Type Clincher**



- **Rim: Clincher 21mm inner width // 29.5mm outer**
- **Tubeless Ready**
- **Rear Axle: QR 135mm, 10x135mm, 12x135mm, 12x142mm**
- **Brake Rotor Interface: CenterLock or 6 Bolt**
- **Note: Skewers Not Included**

BASE | All Black



INDUSTRY NINE



CUSTOM | MSRP + \$125/pair | Any Wheelset Deviating from All Black

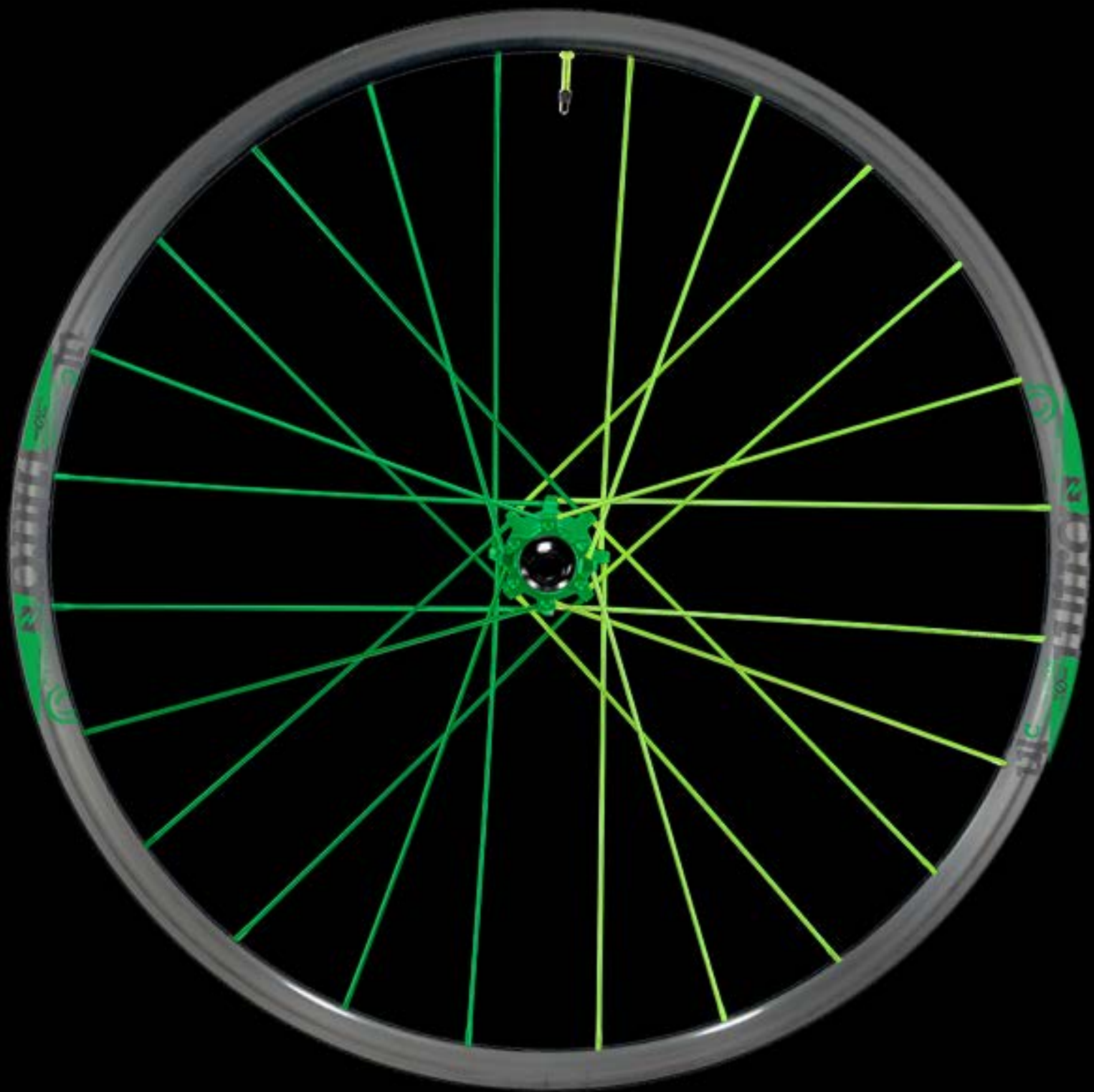


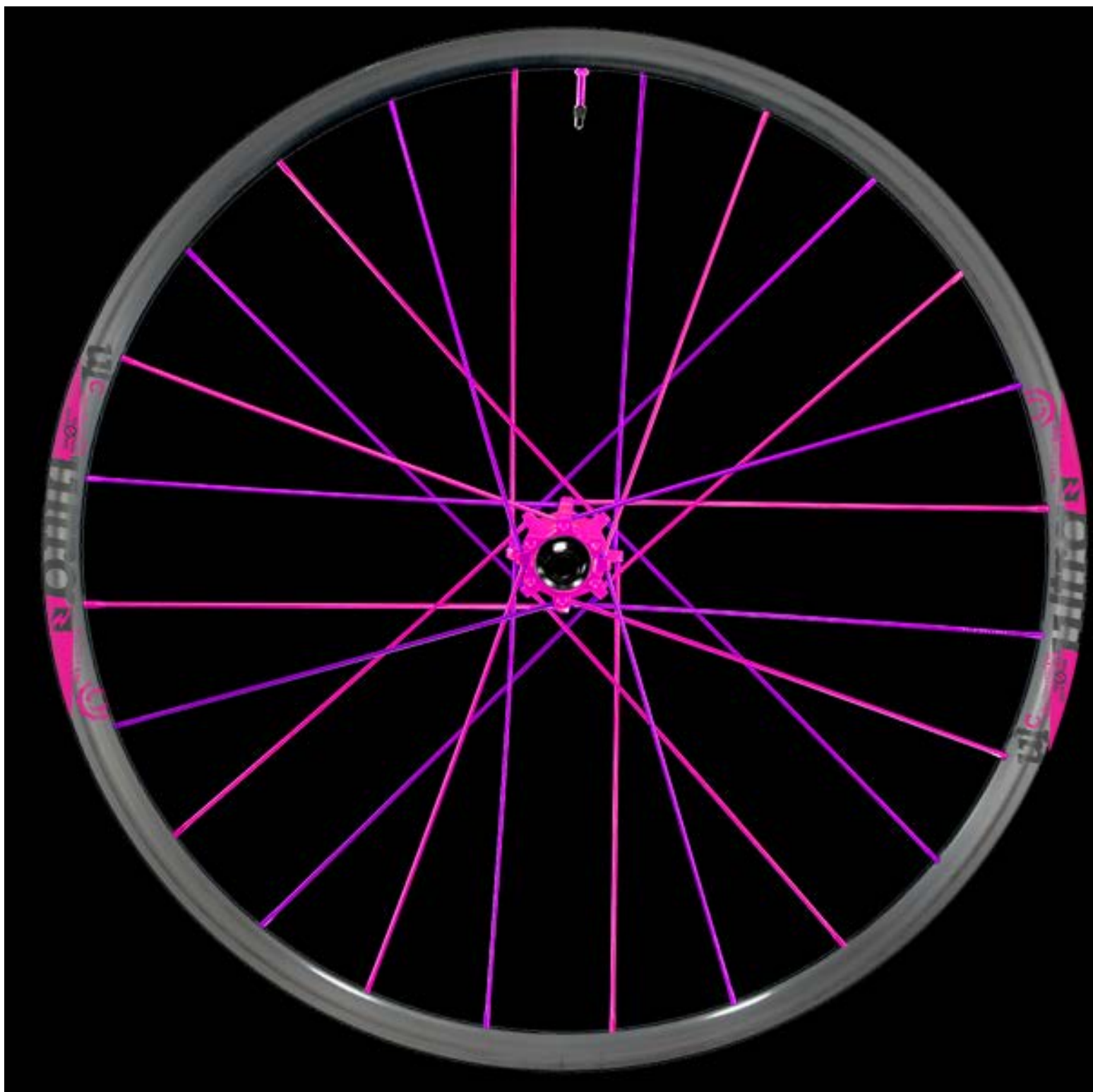
MTB / CX / GRAVEL WHEELS

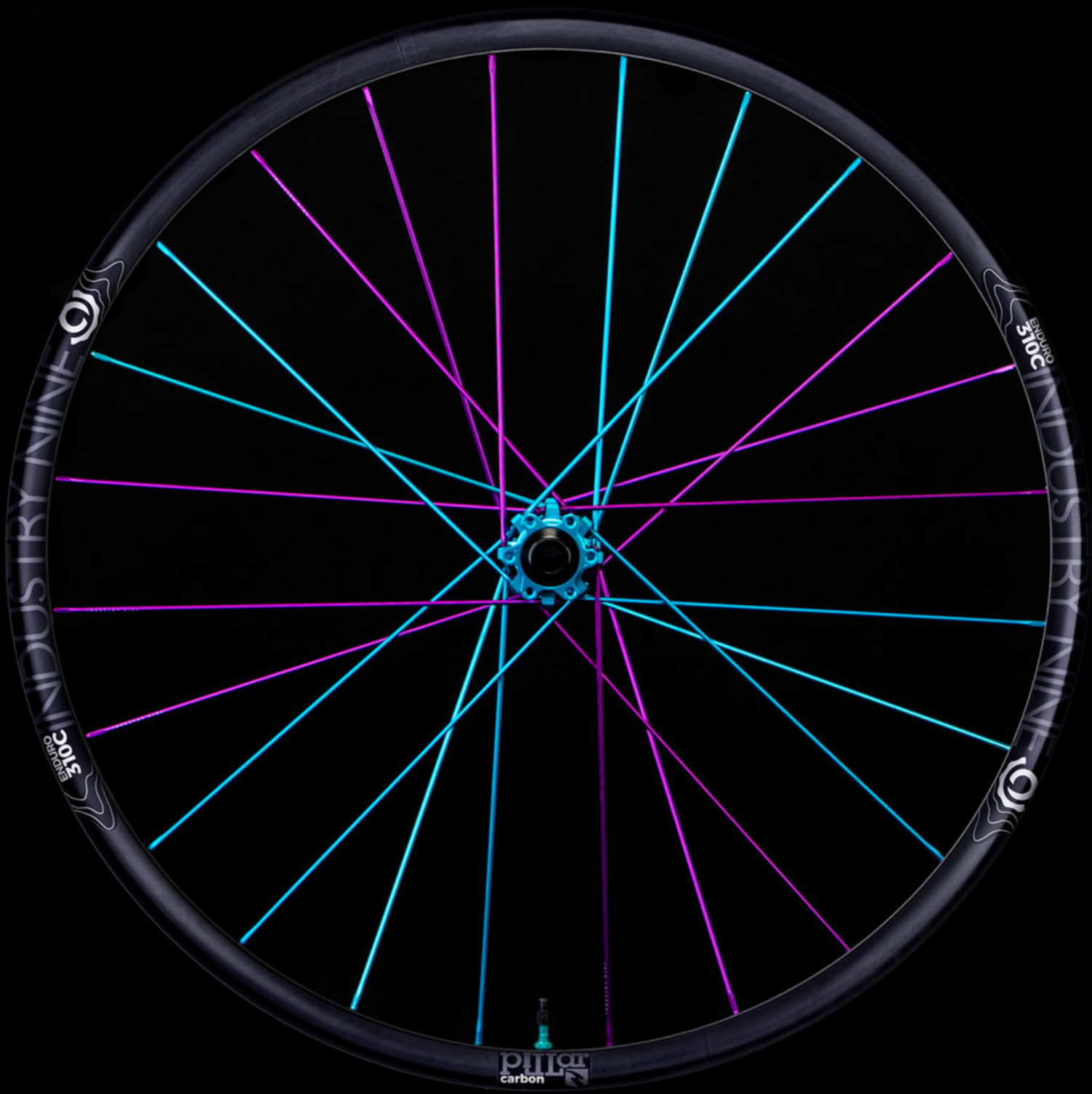
CX / GRAVEL WHEELS	
TRAIL 245 CX Disc	€ 1 399,00
ULTRALITE 235 CX Disc	€ 1 399,00
ULTRALITE CX 235 TRA	€ 1 399,00
PillarCarbon ULTRALITE CX	€ 2 499,00
ULCX240 Carbon TRA	€ 2 499,00
MTB WHEELS	
ALU	
TRAIL 270 (24H)	€ 1 399,00
TRAIL 270 (32H)	€ 1 399,00
Trail S	€ 899,00
ENDURO 305	€ 1 399,00
ENDURO S	€ 950,00
ULTRA LITE 235	€ 1 399,00
GRADE 300	€ 1 399,00
BACK COUNTRY 360 (fatbike)	€ 1 399,00
BACK COUNTRY 450 (fatbike)	€ 1 399,00
CARBON	
PillarCarbon ULTRA LITE 29"	€ 2 499,00
PillarCarbon TRAIL 24h 27.5"	€ 2 499,00
PillarCarbon TRAIL (incl 26mm ENc)	€ 2 549,00
PillarCarbon EN310 24h	€ 2 499,00
PillarCarbon EN310 32h	€ 2 549,00

UPGRADES :

+ 50 Euro	LEVEL 1 : 8 ACCENT SPOKES, 1 COLOR, FR & R, REST = BLACK
+ 140 Euro	LEVEL 2 : UNLIMITED NUMBER SPOKES 1 COLOR + COLOR HUB + COLOR VALVE
+ 235 Euro	LEVEL 3 : ALL POSSIBILITIES !











ENDURO
310C

MINI

MINI

310C

TOPPER

1-1-17-088

MINI





